

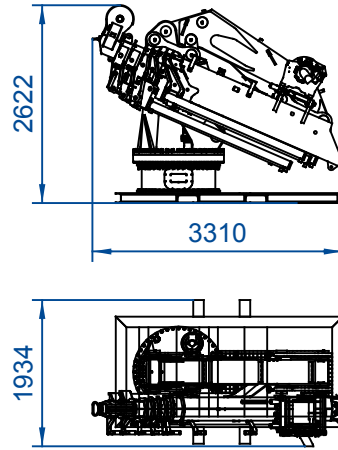
TOTAL WEIGHT APPROX: 4880kg

00	First issue (Preliminary)	23/07/2019	F. Messana	A. Bivona	A. Bivona
Rev.	Revision description	Issue date	Drawn	Checked	Approved

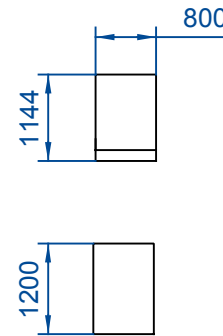


Chamfer not dimensioned: 1x45°	General tolerances: ISO 2768 m/k	Project no.: 190018	Drawing code: 190018A01C01TBZ	Rev.: 00	Scale: 1:100	Format: A4	Page: 1/2
Round not dimensioned: 1	ISO 13920 B/F	Equipment model: FL50T6	Description: TRANSPORT DRAWING	Material: --	Weight: -- kg		
All dimension in millimeters							
Bend centerlines:							

According to international laws, this document is the property of Melcal Srl. No part of this document can be made public, copied or otherwise used, without the written consent of Melcal Srl. All data subject to change.



① CRANE FL50T6 190018 WITH TRANSPORT SKID
WEIGHT APPROX 4600 Kg
Dimension: 3310 L 1934 W 2622 H



② BOX FOR FL50T6 190018
WEIGHT APPROX 280 Kg
Dimension: 1200 L 800 W 1144 H

According to international laws, this document is the property of Melcal Srl. No part of this document can be made public, copied or otherwise used, without the written consent of Melcal Srl. All data subject to change.

00	First issue (Preliminary)	23/07/2019	F. Messana	A. Bivona	A. Bivona
Rev.	Revision description	Issue date	Drawn	Checked	Approved



Chamfer not dimensioned: 1x45° Round not dimensioned: 1 All dimension in millimeters Bend centerlines:	General tolerances: ISO 2768 m/k ISO 13920 B/F	Project no.: 190018	Drawing code: 190018A01C01TBZ	Rev.: 00	Scale: 1:100	Format: A4	Page: 2/2
		Equipment model: FL50T6	Description: TRANSPORT DRAWING	Material: --	Weight: -- kg		